

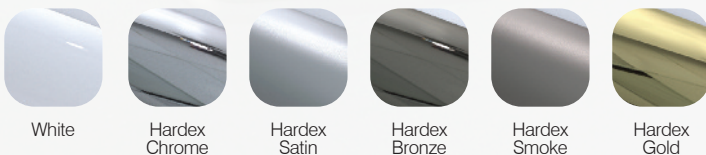
The E Series

Sensei Tilt & Turn Locking



Features & Benefits

- **Handle locks in the closed position**
Locks at 0°, firm hold when at 90° or 180°
- **Solid die cast zinc construction**
Heavyweight handle with sturdy feel
- **Heavy duty sprung latching wedge**
Positive click on closing
- **Long handle with 47mm window clearance**
Greater leverage and easy to operate without catching a hand on the window
- **Classic design with a contemporary twist**
Create an elegant and stylish window
- **Patented cover caps with colour coordinated finish**
Perfectly matching components, even down to the smallest details



White

Hardex
Chrome

Hardex
Satin

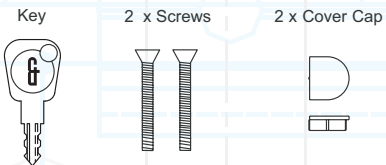
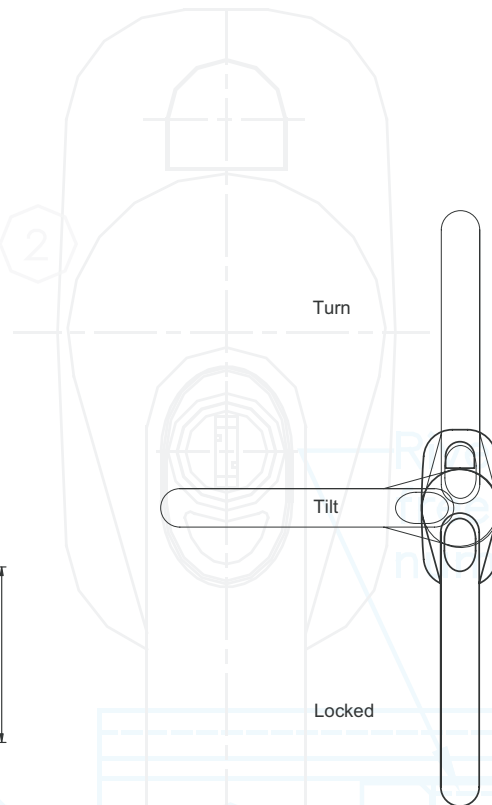
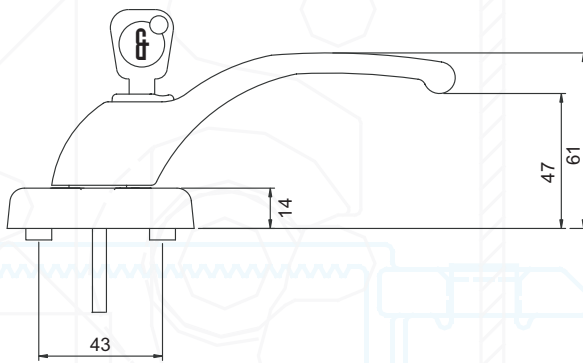
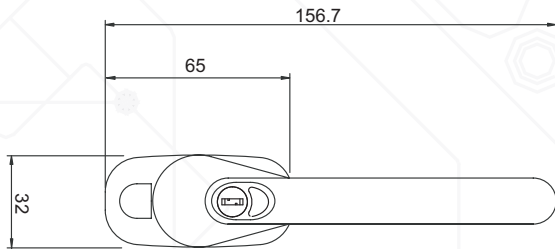
Hardex
Bronze

Hardex
Smoke

Hardex
Gold

Fab&Fix

Sensei Tilt & Turn Locking



All dimensions are shown in millimetres

Additional Benefits

- **Secured by Design**
Additional peace of mind
- **Key clicks into place when inserted**
Won't fall out of the lock, even when pivoting the lever
- **Slotted spindle (40mm version only)**
Allows cropping to 5mm increments

Technical Specification

Designed for PVC-U, aluminium and timber windows

Certified to BS 7950: 1997

All finishes salt spray tested to 480 hours
(BS EN 1670: Class 5)

Tested to 50,000 cycles

Product Codes

Sensei Tilt & Turn Locking

Size	White	Hardex Chrome	Hardex Satin	Hardex Bronze	Hardex Smoke	Hardex Gold
35mm	0G120	0G121	0G122	0G123	0G124	0G125
40mm	0G140	0G141	0G142	0G143	0G144	0G145
45mm	0G160	0G161	0G162	0G163	0G164	0G165